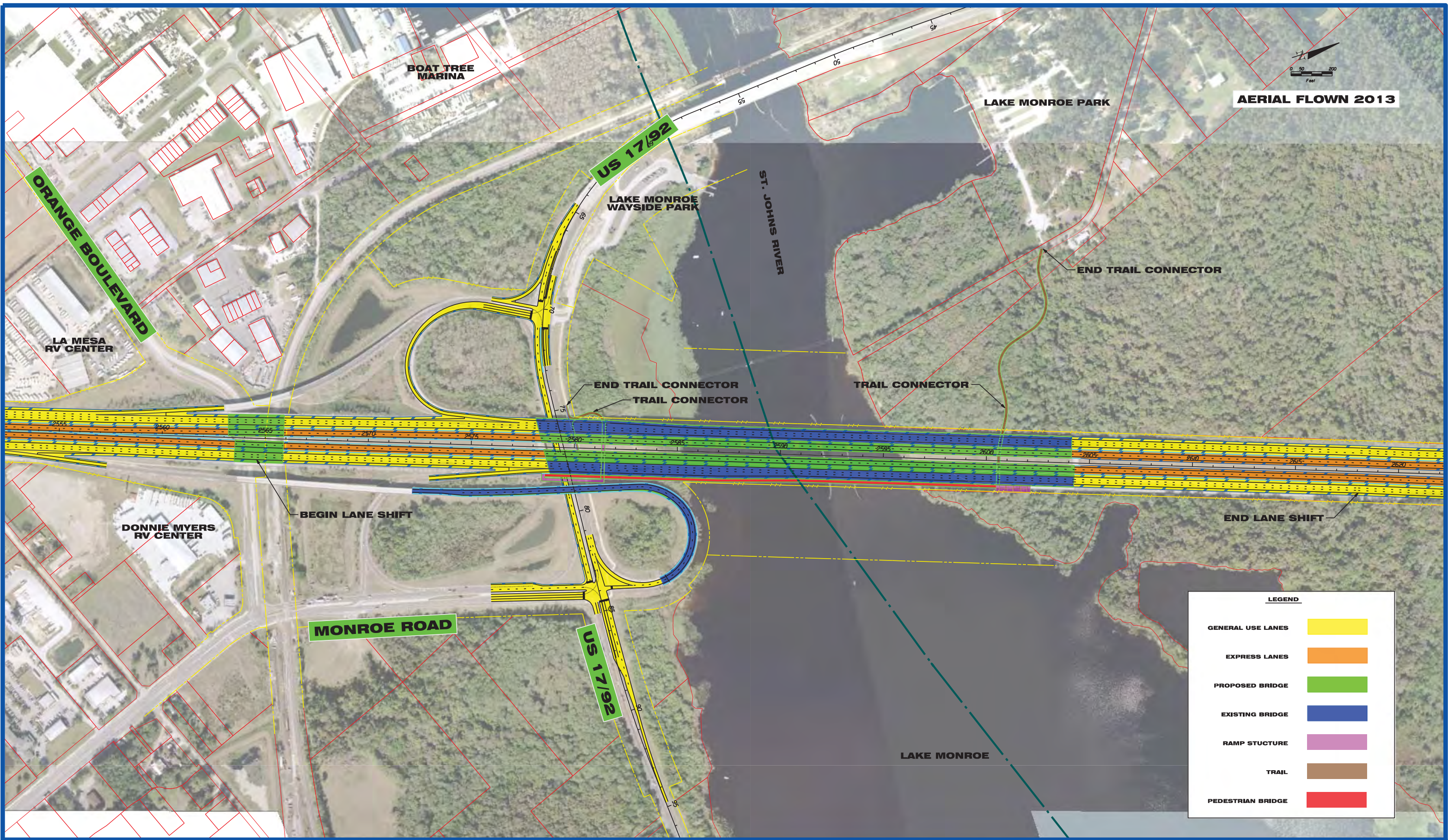









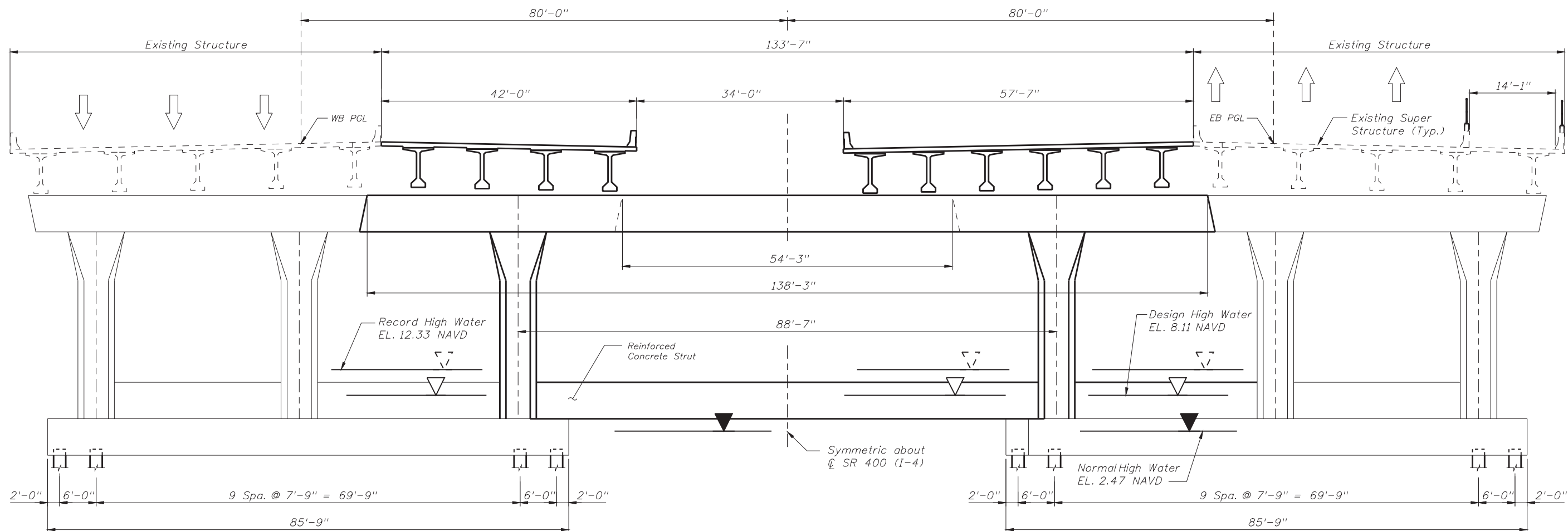
AERIAL FLOWN 2013



LEGEND	
GENERAL USE LANES	
EXPRESS LANES	
PROPOSED BRIDGE	
EXISTING BRIDGE	
RAMP STRUCTURE	
TRAIL	
PEDESTRIAN BRIDGE	

**SR-400 (I-4) Segment 3  
ST. JOHNS RIVER PEDESTRIAN BRIDGE  
ALTERNATIVE 4**

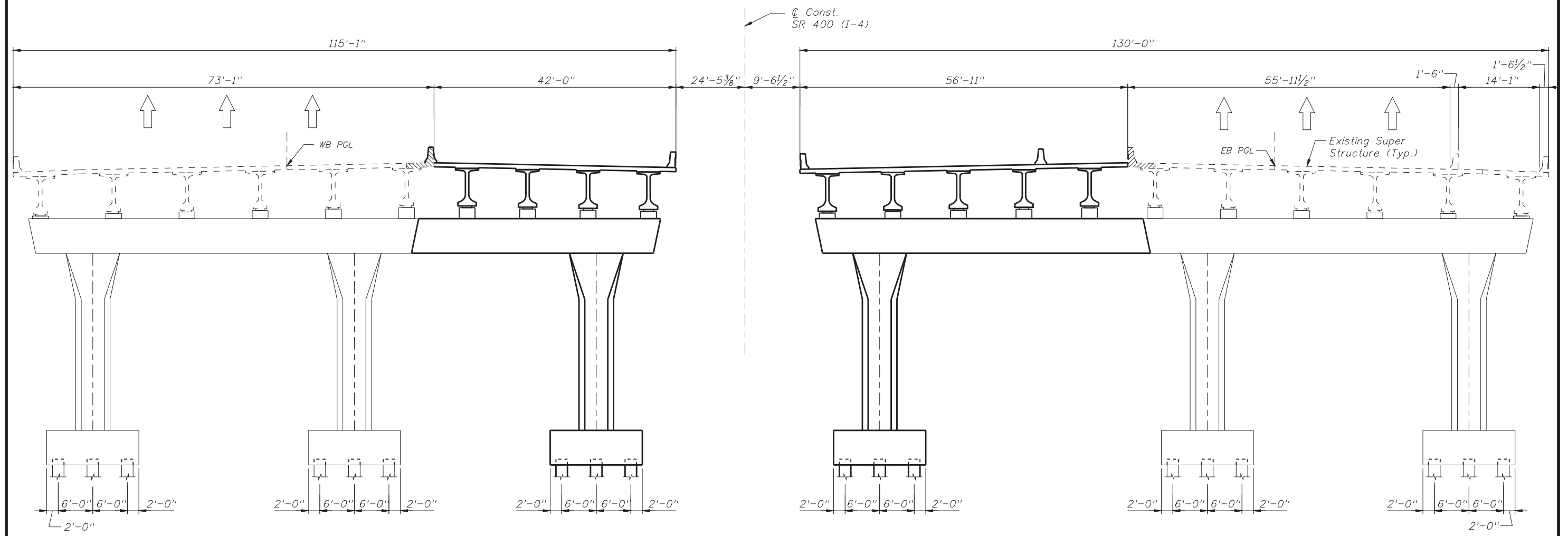




**ALTERNATIVE 4**  
**TYPICAL RIVER PIER ELEVATION - PIER 11 EB & WB**

BRIDGE NOS. 790196 & 790197

REVISIONS						ENGINEER OF RECORD: HNTB CORPORATION 610 CRESCENT EXECUTIVE CT SUITE 400 LAKE MARY, FL 32746 (407) 805-0355 CERT. OF AUTH. NO. 6500 COREY A. MARCHMAN, P.E. NO. 75452	FLORIDA DEPARTMENT OF TRANSPORTATION			I-4 PD&E STUDY TYPICAL SECTIONS SEGMENT 4	SHEET NO. 12 OF 13
DATE	BY	DESCRIPTION	DATE	BY	DESCRIPTION		ROAD NO.	COUNTY	FINANCIAL PROJECT ID		
						400	SEMINOLE VOLUSIA	432100-1-22-01			



**ALTERNATIVE 4**  
**TYPICAL LAND PIER ELEVATION - PIER 4 EB & WB**

BRIDGE NOS. 790196 & 790197

REVISIONS						ENGINEER OF RECORD: HNTB CORPORATION 610 CRESCENT EXECUTIVE CT SUITE 400 LAKE MARY, FL 32746 (407) 805-0355 CERT. OF AUTH. NO. 6500 COREY A. MARCHMAN, P.E. NO. 75452	FLORIDA DEPARTMENT OF TRANSPORTATION			I-4 PD&E STUDY TYPICAL SECTIONS SEGMENT 4	SHEET NO. 13 OF 13
DATE	BY	DESCRIPTION	DATE	BY	DESCRIPTION		ROAD NO.	COUNTY	FINANCIAL PROJECT ID		
						400	SEMINOLE VOLUSIA	432100-1-22-01			