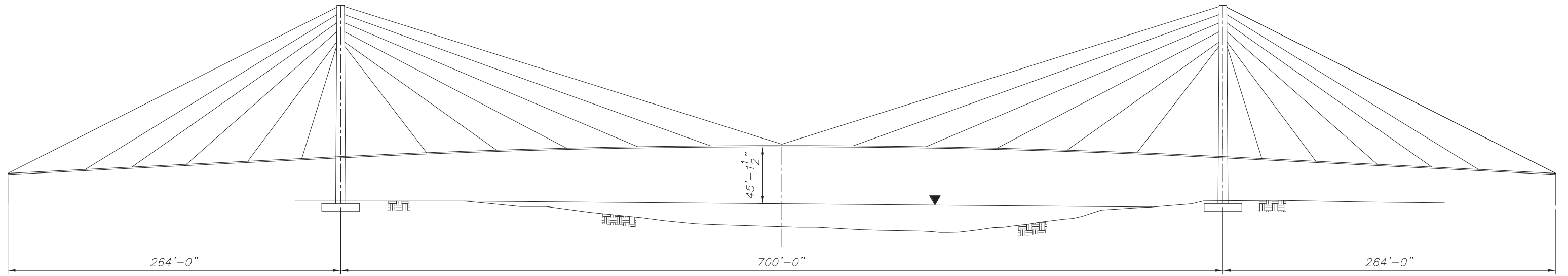


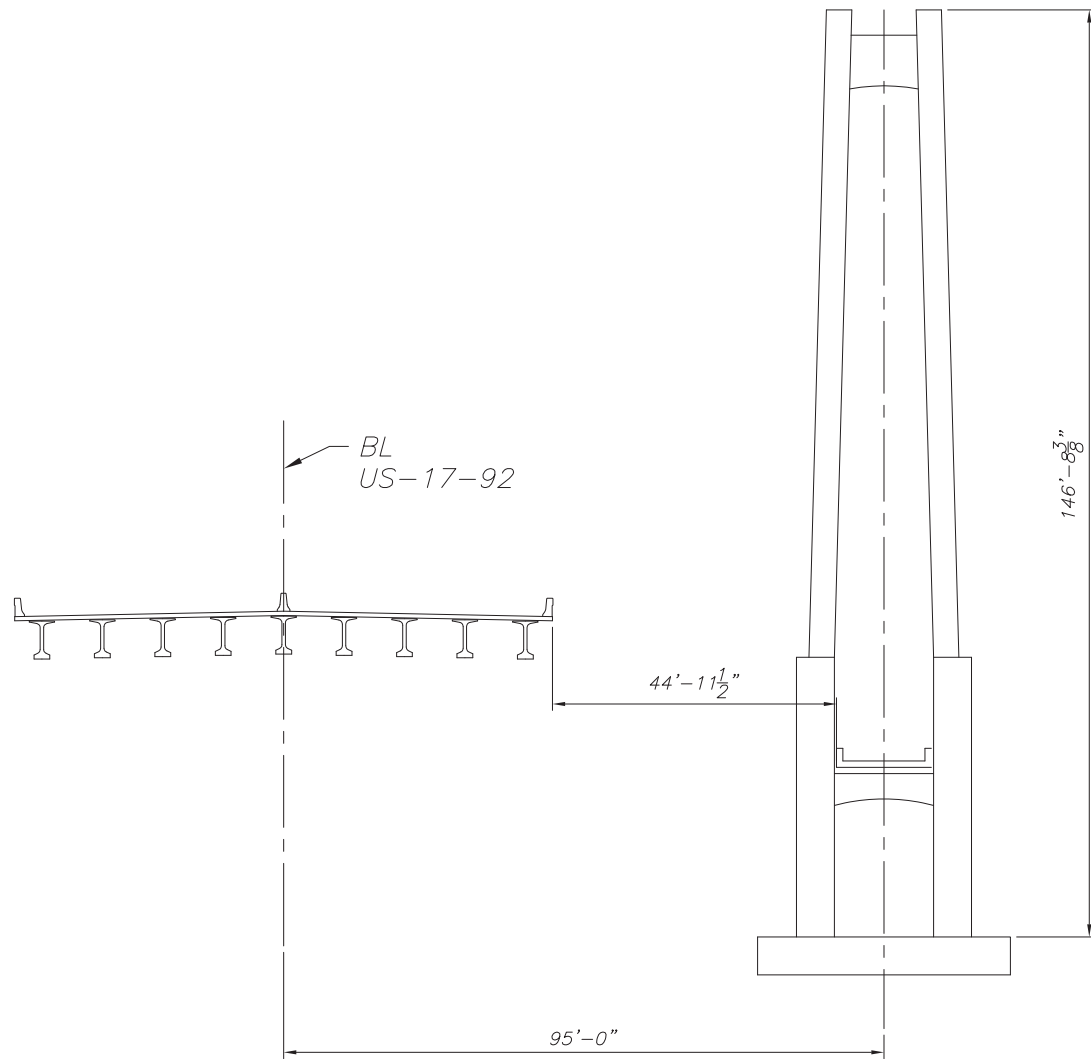
AERIAL FLOWN 2013

**SR-400 (I-4) Segment 3
ST. JOHNS RIVER PEDESTRIAN BRIDGE
ALTERNATIVE 3**





*ALTERNATIVE 3
BRIDGE ELEVATION*



*ALTERNATIVE 3
TYPICAL STAY TOWER PIER ELEVATION*